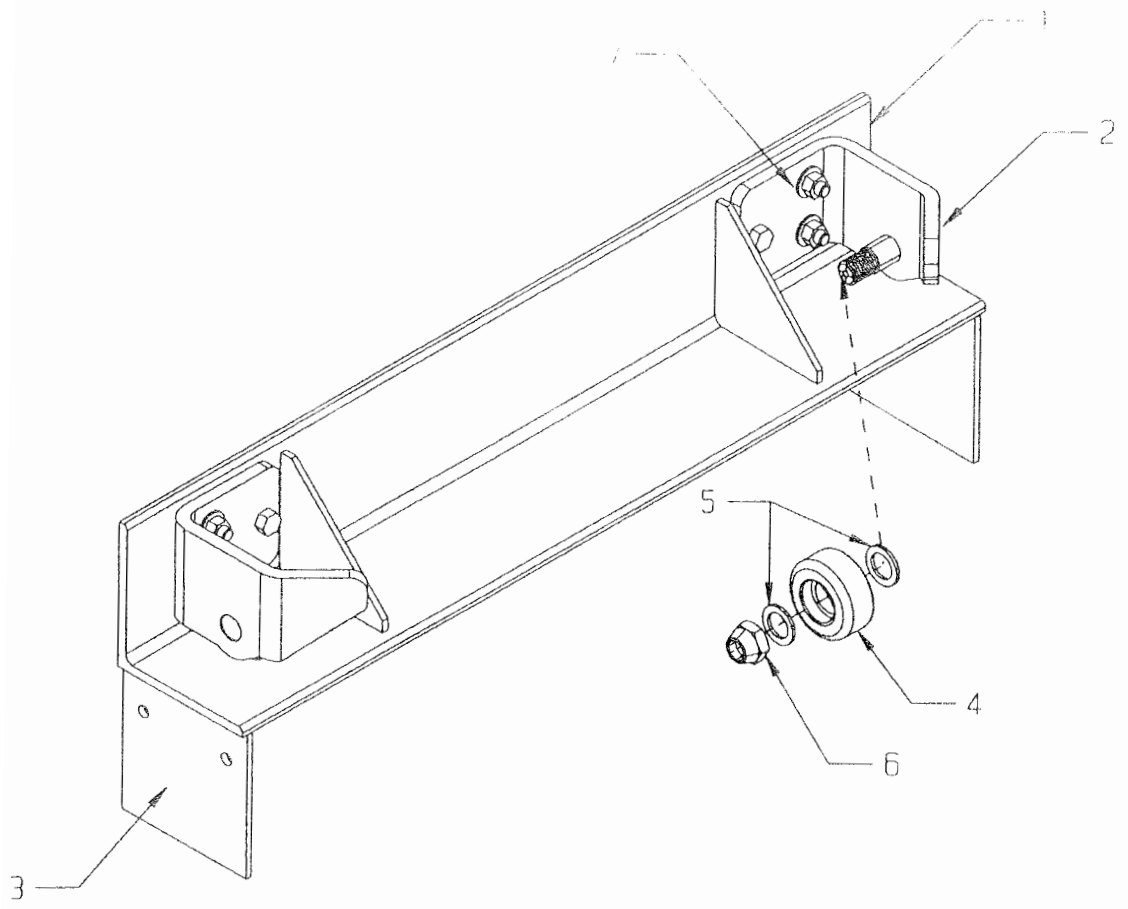




**SERIES 30  
PARTS  
MANUAL**

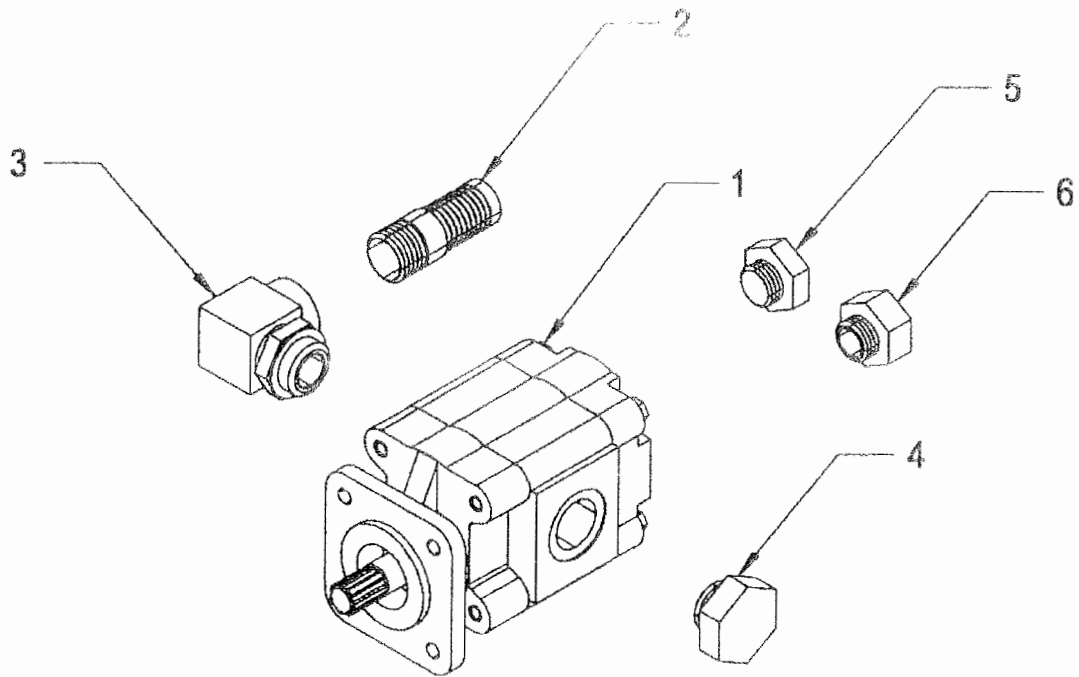
Section V - PARTS  
 BODY LOCK



REF	PART #	DESCRIPTION	QPU
1	SER30-V2-#1	BODY LOCK ANGLE	1
2	SER30-V2-#2	HOLD-DOWN BRACKET-LEFT	1
	SER30-V2-#2A	HOLD-DOWN BRACKET-RIGHT	1
	SER30-V2-#2B	INCLUDES 36315L, 36310, 82710, & 83610	
	SER30-V2-#2C	INCLUDES 36315R, 36310, 82710, & 83610	
3	SER30-V2-#3	SIDE MOUNTING PLATE	2
4	SER30-V2-#4	ROLLING BEARING	2
5	SER30-V2-#5	THRUST WASHER	2
6	SER30-V2-#6	7/8-14 UNF NYLON LOCK NUT	2
7	SER30-V2-#7	BOLT 1/2-20 X 1-3/4 GRADE 5	6
	SER30-V2-#7A	NYLON LOCK NUT 1/2-20	6

# Section V - PARTS

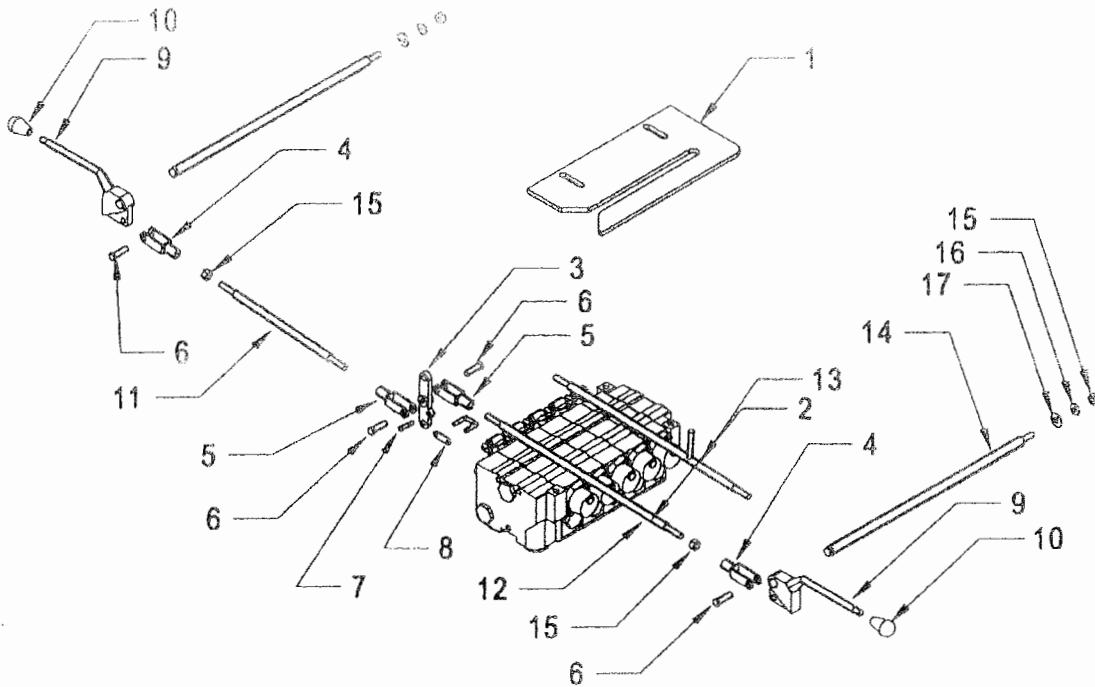
## DIRECT MOUNT PUMP



REF	PART #	DESCRIPTION	QPU
1	SER30-V3-#1	PUMP-18 GPM (SAE 2 BOLT FLANGE)	1
	SER30-V3-#1A	PUMP-24 GPM (SAE 4 BOLT FLANGE)	1
2	SER30-V3-#2	1-1/4 X 3 NPT NIPPLE	1
3	SER30-V3-#3	1-1/4 X 90 M-F O-RING ADAPTER 887-554-20	1
4	SER30-V3-#4	1-1/4 O-RING PLUG 900598-20	1
5	SER30-V3-#5	1 O-RING PLUG 900598-16	1
6	SER30-V3-#6	1 O-RING X 3/4 PIPE REDUCER 2216-12 X 16	1

# Section V - PARTS

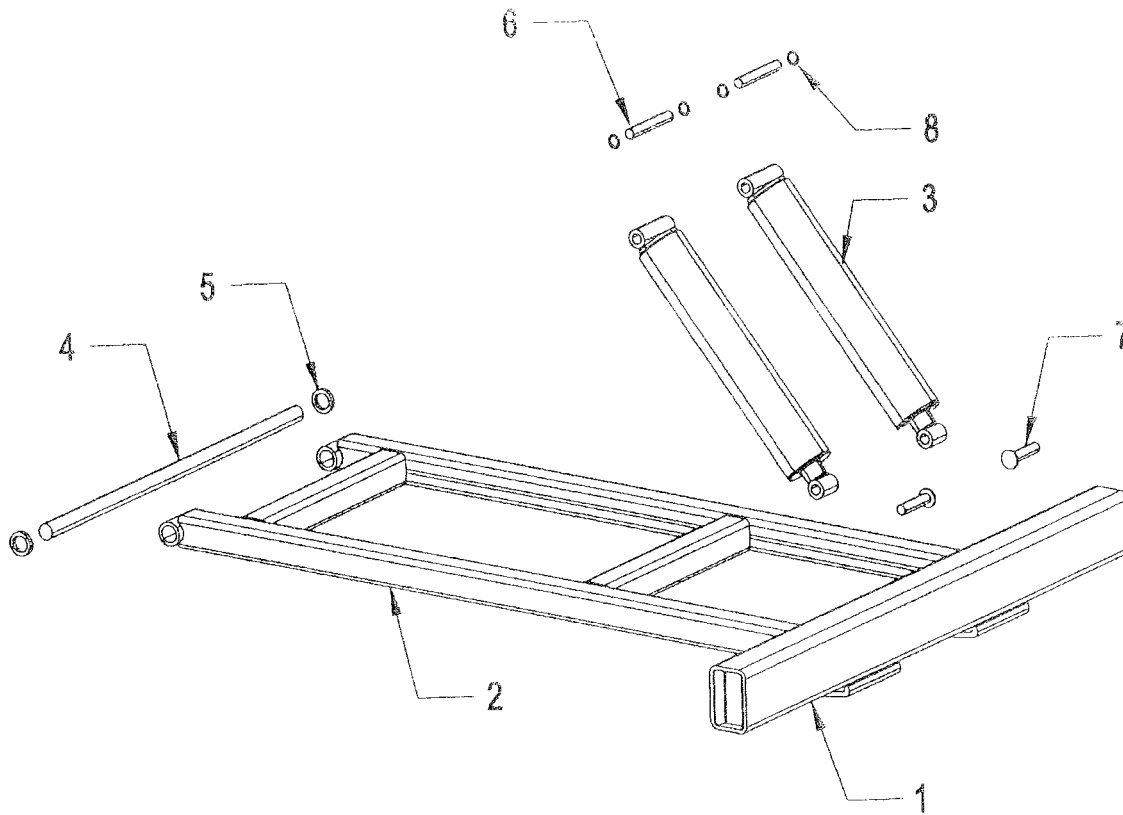
## CONTROL COMPONENTS



REF	PART #	DESCRIPTION	QPU
1	SER 30-V4-#1	ANTI-TILT BRACKET	1
2	SER30-V4-#2	CONTROL VALVE-5 SPOOL	1
3	SER30-V4-#3	BELL CRANK	5
4	SER30-V4-#4	CLEVIS 3/8-24 RIGHT HAND THREAD	10
5	SER30-V4-#5	CLEVIS 3/8-24 LEFT HAND THREAD	10
6	SER30-V4-#6	3/8 CLEVIS PIN	20
7	SER30-V4-#7	1/4 CLEVIS PIN	5
8	SER30-V4-#8	PIN AND LINK ASSEMBLY (INC. 84610)	5
9	SER30-V4-#9	CONTROL HANDLE	10
10	SER30-V4-#10	CONTROL KNOB	10
11	SER30-V4-#11	CONTROL ROD 30	5
12	SER30-V4-#12	CONTROL ROD 33-1/4	4
13	SER30-V4-#13	TILT CONTROL ROD 33-1/4	1
14	SER30-V4-#14	HANDLE CROSS ROD	2
15	SER30-V4-#15	NUT 3/8-24 FINE THREAD	12
16	SER30-V4-#16	3/8 LOCK WASHER	2
17	SER30-V4-#17	3/8 FLAT WASHER	2

# Section V - PARTS

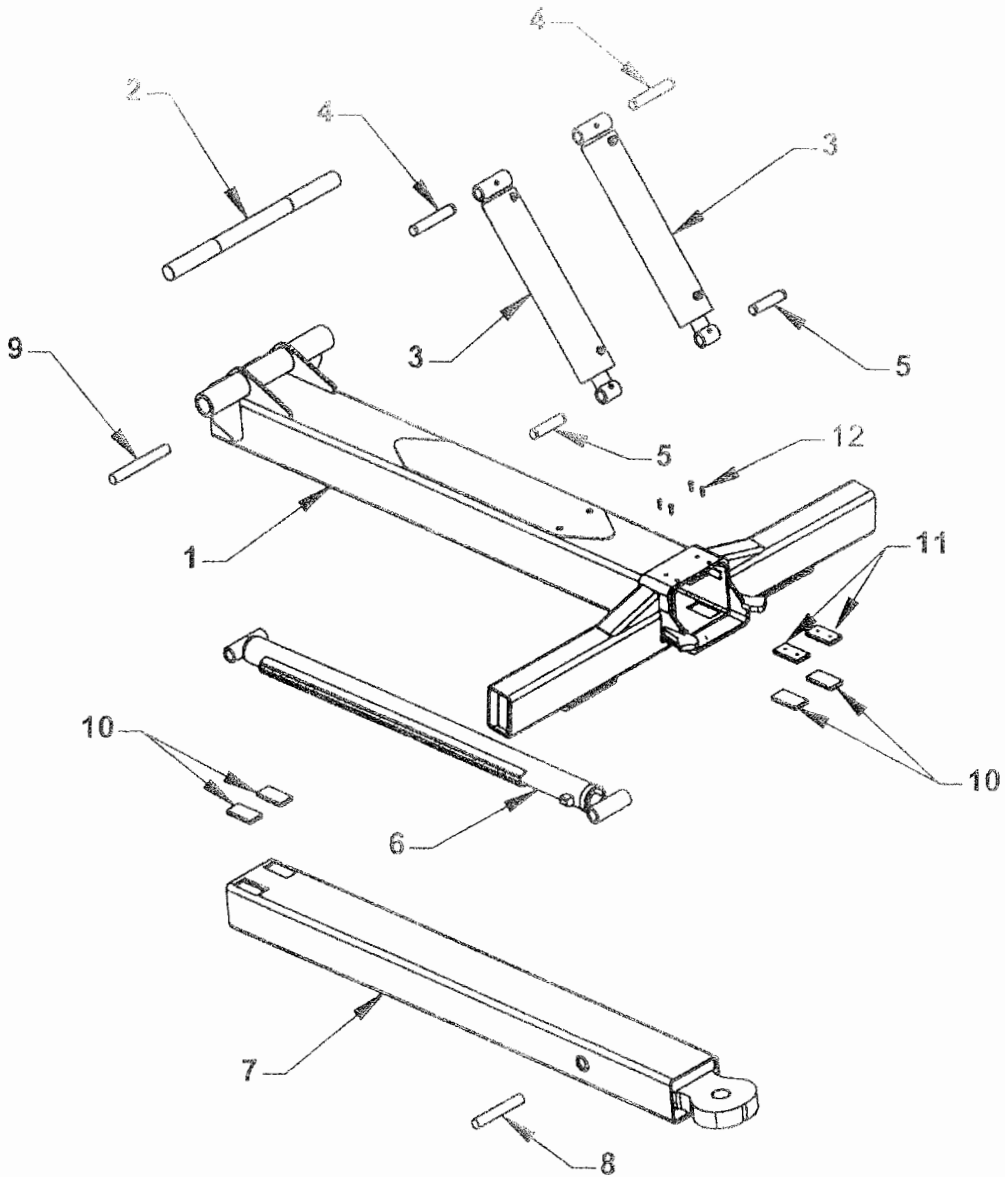
## HYDRAULIC STABILIZER COMPONENTS



REF	PART #	DESCRIPTION	QPU
1	SER30-V5-#1	STABILIZER TUBE	1
2	SER30-V5-#2	TRAILING ARM	2
3	SER30-V5-#3	STABILIZER CYLINDER	2
4	SER30-V5-#4	STABILIZER PIVOT PIN	1
5	SER30-V5-#5	PIVOT PIN WELD-ON RING	2
6	SER30-V5-#6	CYLINDER BASE PIN .980 x 6-5/8	2
7	SER30-V5-#7	CYLINDER ROD PIN .980 x 4-3/8	2
8	SER30-V5-#8	SNAP-RING	4

# Section V - PARTS

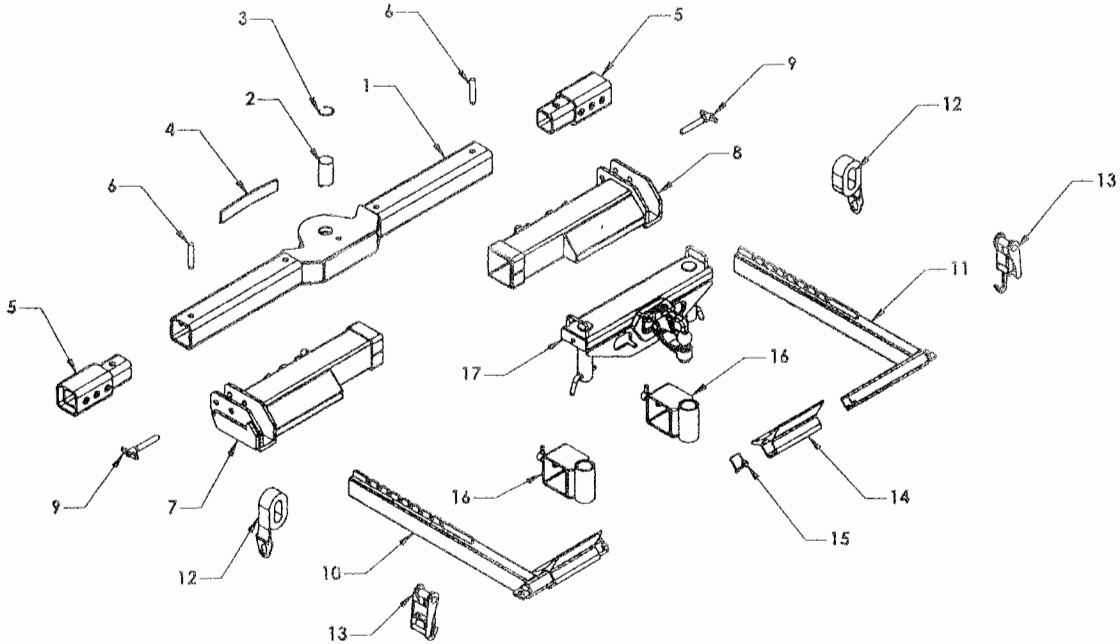
## UNDERLIFT COMPONENTS



REF	PART #	DESCRIPTION	QPU
1	SER 30-V6-#1	UNDERLIFT BOOM TUBE- OUTER	1
2	SER30-V6-#2	UNDERLIFT PIVOT PIN 1.975 X 27.50	1
3	SER30-V6-#3	STABILIZER CYLINDER	2
4	SER30-V6-#4	CYLINDER BASE PIN 1.230 X 6.688	2
5	SER30-V6-#5	CYLINDER ROD PIN 1.230 X 5.00	2
6	SER30-V6-#6	UNDERLIFT EXTENSION CYLINDER	1
7	SER30-V6-#7	UNDERLIFT BOOM TUBE- INNER	1
8	SER30-V6-#8	EXTENSION CYLINDER ROD PIN 1.230 X 7-5/8	1
9	SER30-V6-#9	EXTENSION CYLINDER BASE PIN 1.230 X 9	1
10	SER30-V6-#10	NYLATRON WEAR PAD 1/2 X 2 X 4	4
11	SER30-V6-#11	NYLATRON WEAR PAD 1/2 X 2 X 4 TAPPED	2
12	SER30-V6-#12	3/8-16 X 1 BUTTON HEAD BOLT	4

# Section V - PARTS

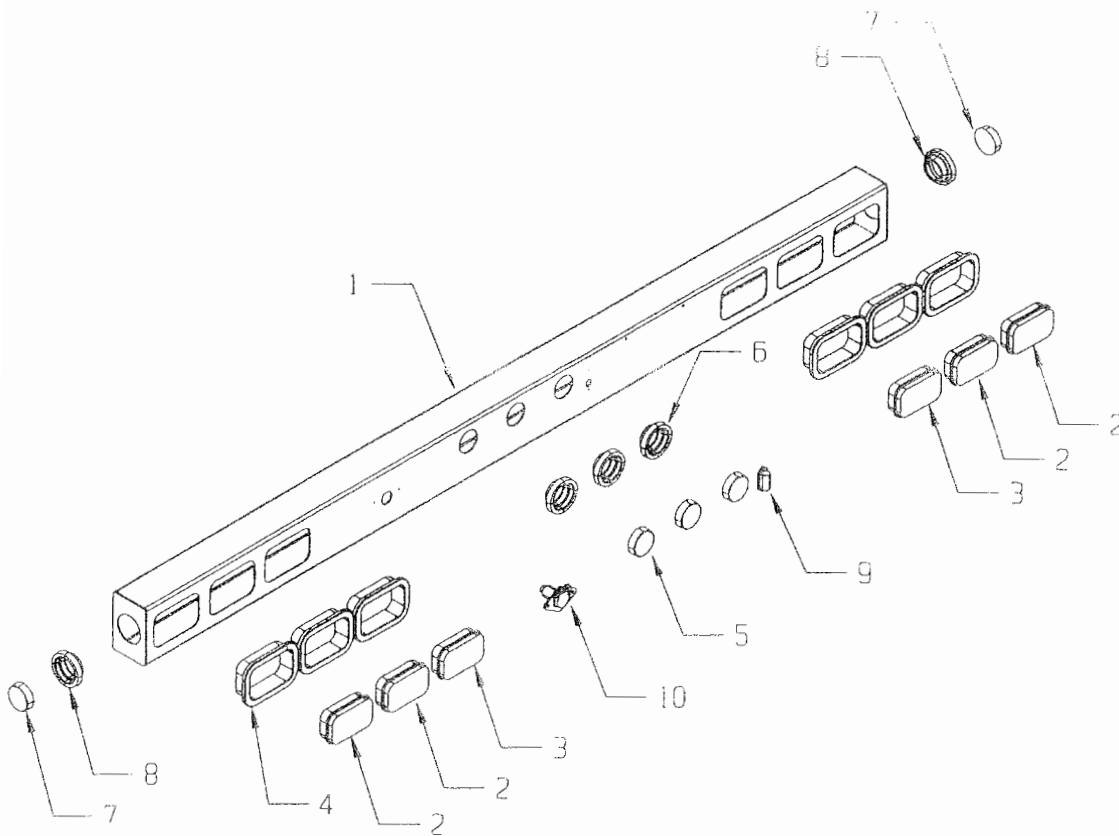
## UNDERLIFT ATTACHMENTS



REF	PART #	DESCRIPTION	QPU
1	SER 30-V7-#1	CROSSBAR	1
2	SER30-V7-#2	CROSSBAR PIVOT PIN	1
3	SER30-V7-#3	RETAINING RING 2.00 INCH INTERNAL	1
4	SER30-V7-#4	CROSSBAR CENTER SPRING	1
5	SER30-V7-#5	CROSSBAR EXTENSION	2
6	SER30-V7-#6	CROSSBAR EXTENSION PIN	2
7	SER30-V7-#7	WHEEL GRID-LEFT	1
8	SER30-V7-#8	WHEEL GRID-RIGHT	1
9	SER30-V7-#9	T-PIN WITH LANYARD 3/4 X 3.5	2
10	SER30-V7-#10	LEFT L-ARM 6000 LB. CAPACITY	1
11	SER30-V7-#11	RIGHT L-ARM 6000 LB. CAPACITY	1
12	SER30-V7-#12	WHEEL STRAP	2
13	SER30-V7-#13	RATCHET	2
14	SER30-V7-#14	REMOVABLE WHEEL PAN	2
15	SER30-V7-#15	WHEEL PAN RETAINING PIN	2
16	SER30-V7-#16	SHORT FORK HOLDER (OPTIONAL)	2
17	SER30-V7-#17	PINTLE HITCH ADAPTOR (OPTIONAL)	1

# Section V - PARTS

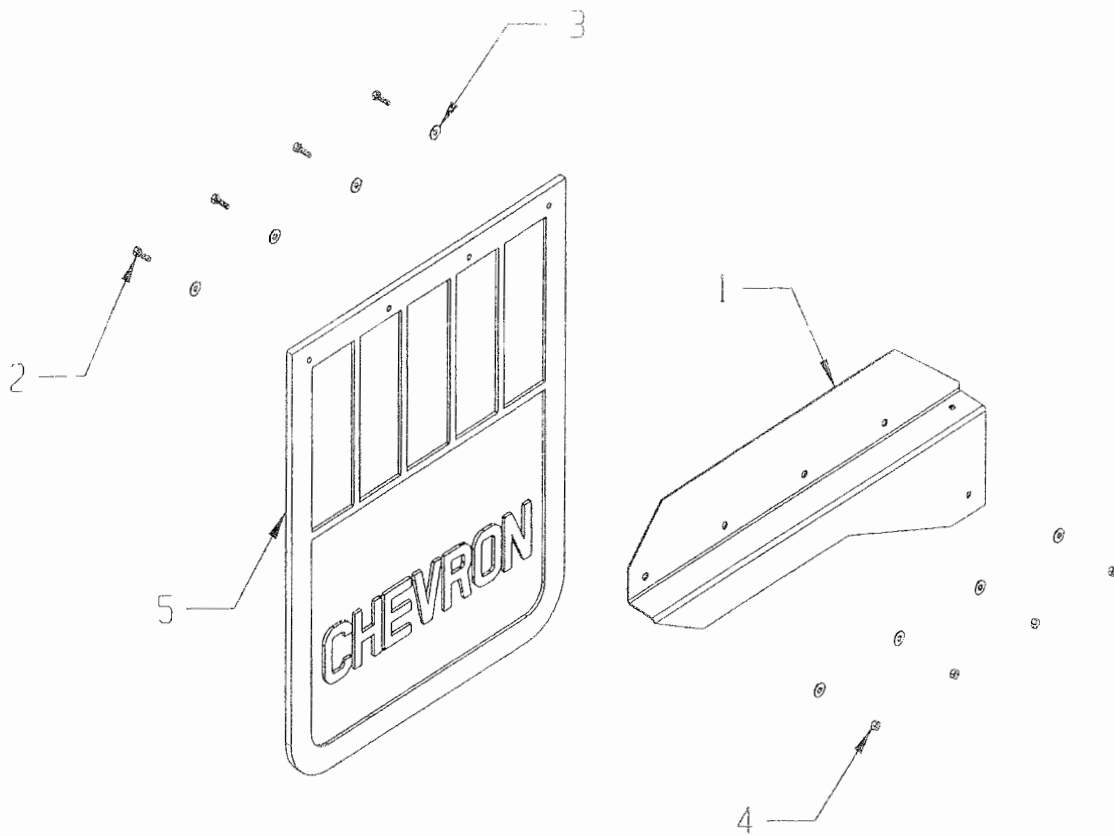
## TAIL LIGHT COMPONENTS



REF	PART #	DESCRIPTION	QPU
1	SER30-V8-#1	TAIL LIGHT HOUSING	1
	SER30-V8-#1A	TAIL LIGHT HOUSING- HITCH	1
2	SER30-V8-#2	LIGHT- TAIL, STOP, TURN MODEL 45202R	4
3	SER30-V8-#3	LIGHT BACKUP MODEL 45204	2
4	SER30-V8-#4	GROMMET MODEL 45700	6
5	SER30-V8-#5	ICC LIGHT MODEL 40	3
6	SER30-V8-#6	GROMMET MODEL 30	3
7	SER30-V8-#7	MARKER LIGHT MODEL 10	2
8	SER30-V8-#8	GROMMET MODEL 10	2
9	SER30-V8-#9	LIGHT- LICENSE PLATE	1
10	SER30-V8-#10	TOW LIGHT PLUG- 4 PRONG	1
	SER30-V8-#10A	TOW LIGHT PLUG- 6 PRONG	1

# Section V - PARTS

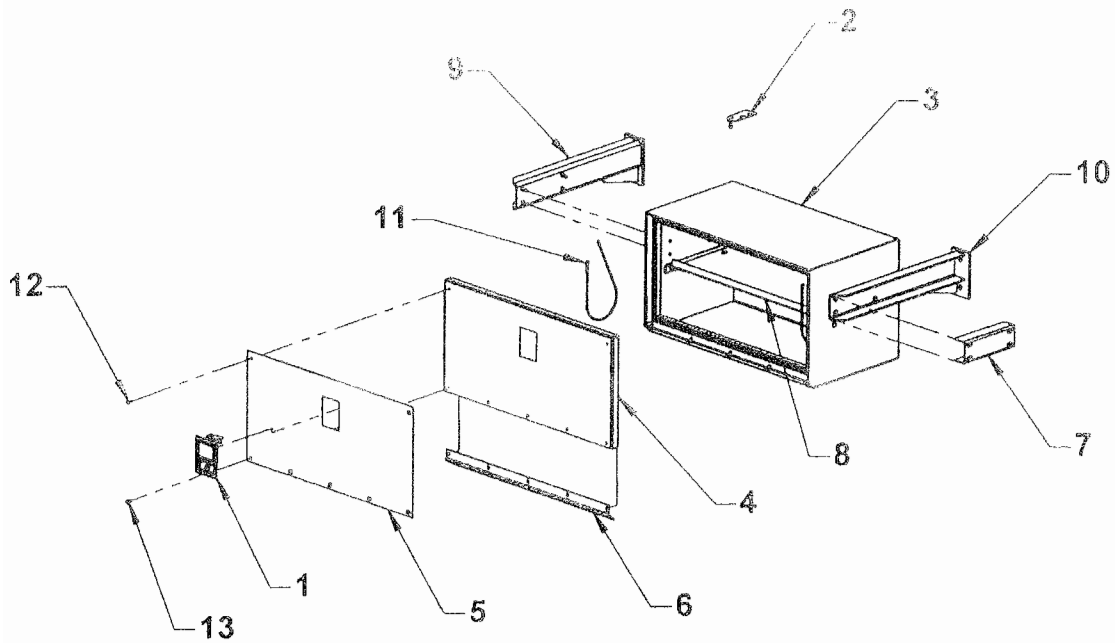
## MUDFLAP COMPONENTS



REF	PART #	DESCRIPTION	QPU
1	SER30-V9-#1	MUDFLAP MOUNTING BRACKET	1
	SER30-V9-#1A	MUDFLAP MOUNTING BRACKET	1
2	SER30-V9-#2	5/16 X 1 BOLT	8
3	SER30-V9-#3	5/16 FLAT WASHER	16
4	SER30-V9-#4	5/16 NYLON LOCK NUT	8
5	SER30-V9-#5	MUDFLAP 24 X 30	2

# Section V - PARTS

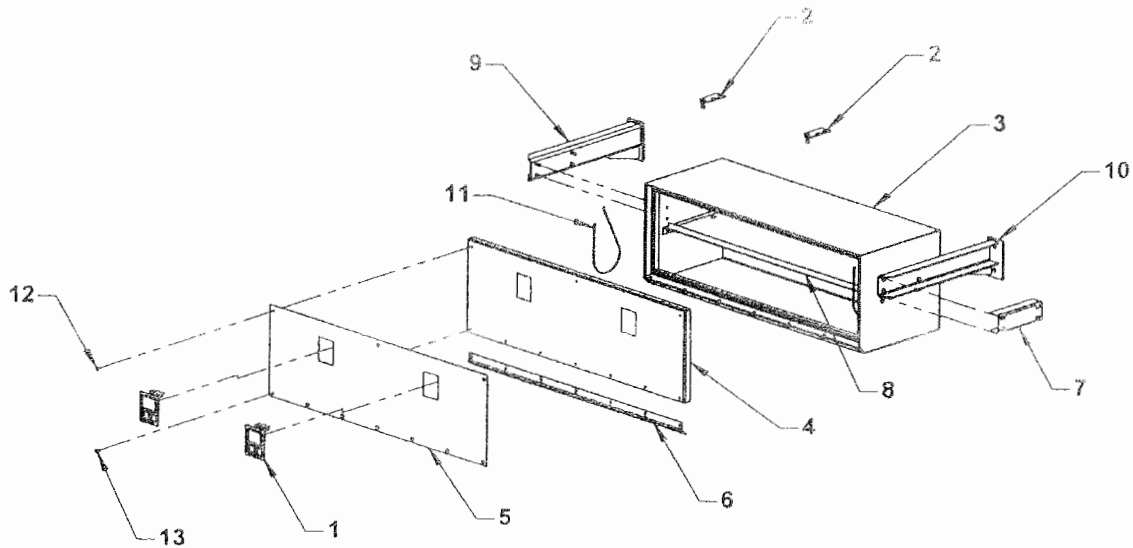
## 33" ALUMINUM TOOLBOX - 37700



REF	PART #	DESCRIPTION	QPU
1	SER30-V10-#1	ROTARY PADDLE LATCH	1
	SER30-V10-#1A	GASKET FOR PADDLE LATCH	1
	SER30-V10-#1B	#8-32 X 1/2 STAINLESS ONE WAY SCREW	4
	SER30-V10-#1C	#8-32 STAINLESS KEPT NUT	4
2	SER30-V10-#2	STRIKER PIN MOUNTING PLATE	1
	SER30-V10-#2A	STRIKER PIN	1
	SER30-V10-#2B	NYLON LOCK NUT 5/16-18	1
3	SER30-V10-#3	BOX WELDMENT	1
4	SER30-V10-#4	DOOR WELDMENT	1
	SER30-V10-#4A	DOOR ASSEMBLY	1
5	SER30-V10-#5	STAINLESS STEEL DOOR COVER PANEL	1
6	SER30-V10-#6	HINGE	1
7	SER30-V10-#7	TANDEM BOX SPACER CHANNEL (OPTIONAL)	1
8	SER30-V10-#8	SHELF	1
9	SER30-V10-#9	TOOLBOX MOUNTING BRACKET-LEFT	1
10	SER30-V10-#10	TOOLBOX MOUNTING BRACKET-RIGHT	1
11	SER30-V10-#11	LANYARD-21 INCH	2
12	SER30-V10-#12	STAINLESS CARRIAGE BOLT 1/4-20 X 3/4	2
	SER30-V10-#12A	NUT 1/4-20	2
	SER30-V10-#12B	LOCK WASHER 1/4	2
13	SER30-V10-#13	STAINLESS CARRIAGE BOLT 5/16-18 X 3/4	10
	SER30-V10-#13A	NUT 5/16-18	10
	SER30-V10-#13B	LOCK WASHER 5/16	10
	SER30-V10-#13C	FLAT WASHER 5/16	10

# Section V - PARTS

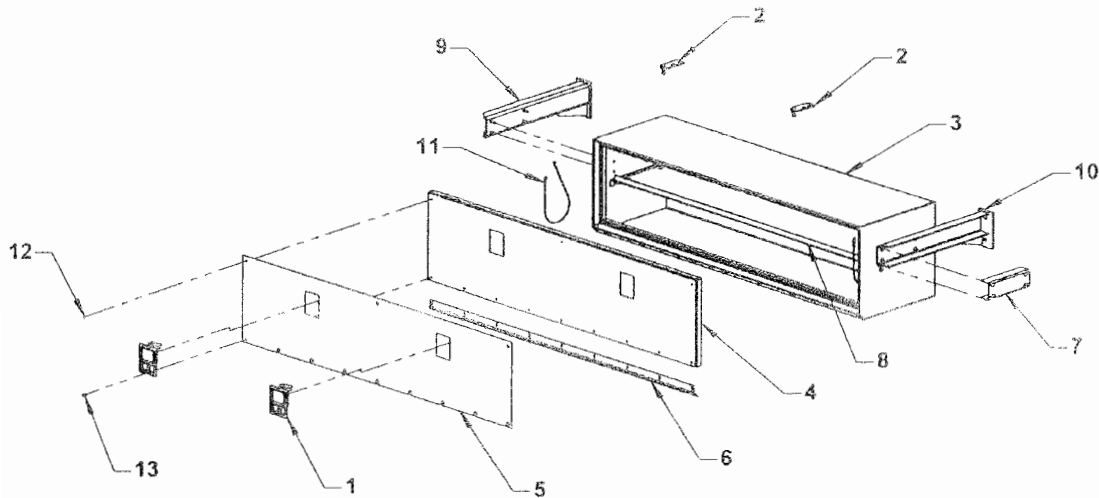
## 49" ALUMINUM TOOLBOX - 37800



REF	PART #	DESCRIPTION	QPU
1	SER30-V11-#1	ROTARY PADDLE LATCH	2
	SER20-V11-#1A	GASKET FOR PADDLE LATCH	2
	SER30-V11-#1B	#8-32 X 1/2 STAINLESS ONE WAY SCREW	8
	SER30-V11-#1C	#8-32 STAINLESS KEPT NUT	8
2	SER30-V11-#2	STRIKER PIN MOUNTING PLATE	2
	SER30-V11-#2A	STRIKER PIN	2
	SER30-V11-#2B	NYLON LOCK NUT 5/16-18	2
3	SER30-V11-#3	BOX WELDMENT	1
4	SER30-V11-#4	DOOR WELDMENT	1
	SER30-V11-#4A	DOOR ASSEMBLY	1
5	SER30-V11-#5	STAINLESS STEEL DOOR COVER PANEL	1
6	SER30-V11-#6	HINGE	1
7	SER30-V11-#7	TANDEM BOX SPACER CHANNEL (OPTIONAL)	1
8	SER30-V11-#8	SHELF	1
9	SER30-V11-#9	TOOLBOX MOUNTING BRACKET-LEFT	1
10	SER30-V11-#10	TOOLBOX MOUNTING BRACKET-RIGHT	1
11	SER30-V11-#11	LANYARD-21 INCH	2
12	SER30-V11-#12	STAINLESS CARRIAGE BOLT 1/4-20 X 3/4	3
	SER30-V11-#12A	NUT 1/4-20	3
	SER30-V11-#12B	LOCK WASHER 1/4	3
13	SER30-V11-#13	STAINLESS CARRIAGE BOLT 5/16-18 X 3/4	14
	SER30-V11-#13A	NUT 5/16-18	14
	SER30-V11-#13B	LOCK WASHER 5/16	14
	SER30-V11-#13C	FLAT WASHER 5/16	14

# Section V - PARTS

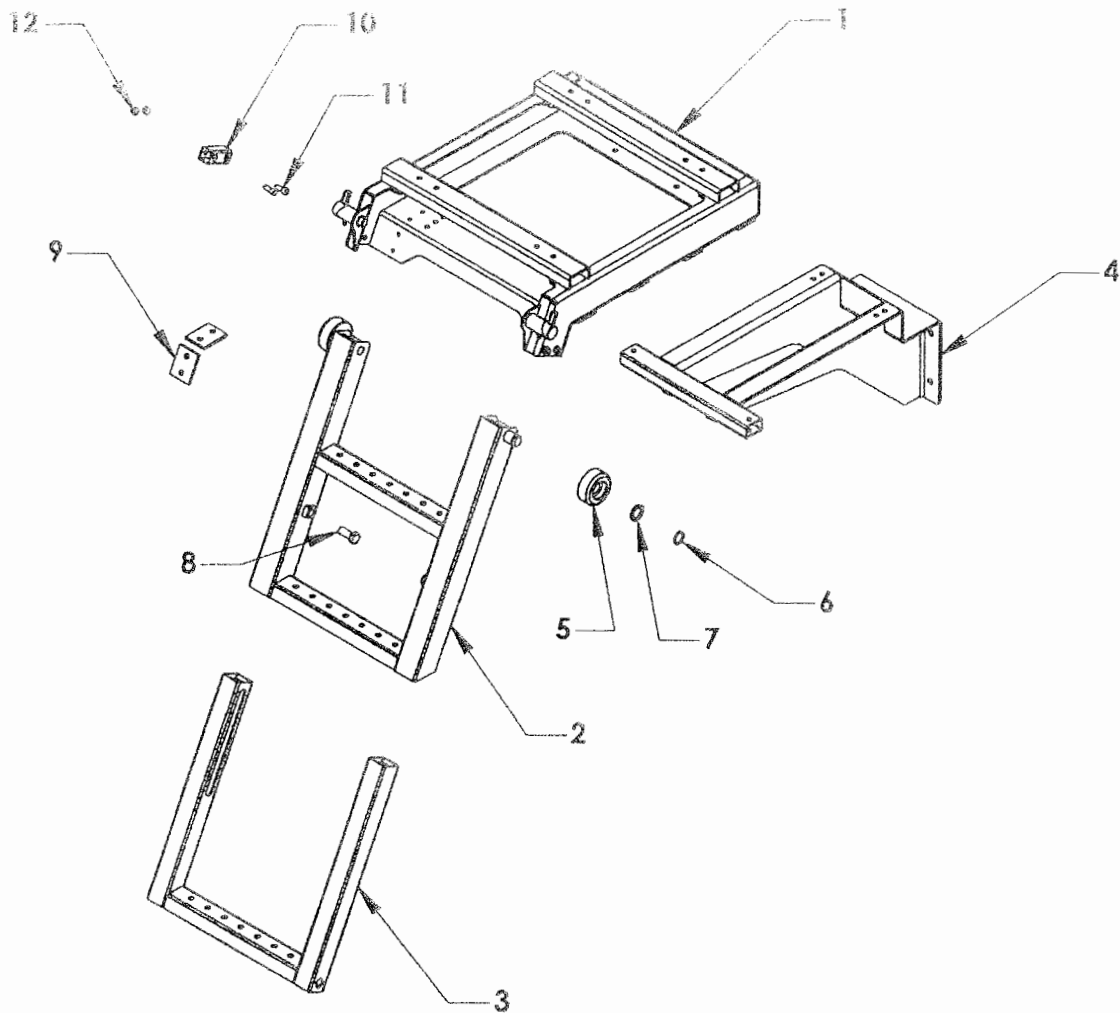
## 65" ALUMINUM TOOLBOX - 37900



REF	PART #	DESCRIPTION	QPU
1	SER30-V12-#1	ROTARY PADDLE LATCH	2
	SER30-V12-#1A	GASKET FOR PADDLE LATCH	2
	SER30-V12-#1B	#8-32 X 1/2 STAINLESS ONE WAY SCREW	8
	SER30-V12-#1C	#8-32 STAINLESS KEPT NUT	8
2	SER30-V12-#2	STRIKER PIN MOUNTING PLATE	2
	SER30-V12-#2A	STRIKER PIN	2
	SER30-V12-#2B	NYLON LOCK NUT 5/16-18	2
3	SER30-V12-#3	BOX WELDMENT	1
4	SER30-V12-#4	DOOR WELDMENT	1
	SER30-V12-#4A	DOOR ASSEMBLY	1
5	SER30-V12-#5	STAINLESS STEEL DOOR COVER PANEL	1
6	SER30-V12-#6	HINGE	1
7	SER30-V12-#7	TANDEM BOX SPACER CHANNEL (OPTIONAL)	1
8	SER30-V12-#8	SHELF	1
9	SER30-V12-#9	TOOLBOX MOUNTING BRACKET-LEFT	1
10	SER30-V12-#10	TOOLBOX MOUNTING BRACKET-RIGHT	1
11	SER30-V12-#11	LANYARD-21 INCH	2
12	SER30-V12-#12	STAINLESS CARRIAGE BOLT 1/4-20 X 3/4	3
	SER30-V12-#12A	NUT 1/4-20	3
	SER30-V12-#12B	LOCK WASHER 1/4	3
13	SER30-V12-#13	STAINLESS CARRIAGE BOLT 5/16-18 X 3/4	18
	SER30-V12-#13A	NUT 5/16-18	18
	SER30-V12-#13B	LOCK WASHER 5/16	18
	SER30-V12-#13C	FLAT WASHER 5/16	18

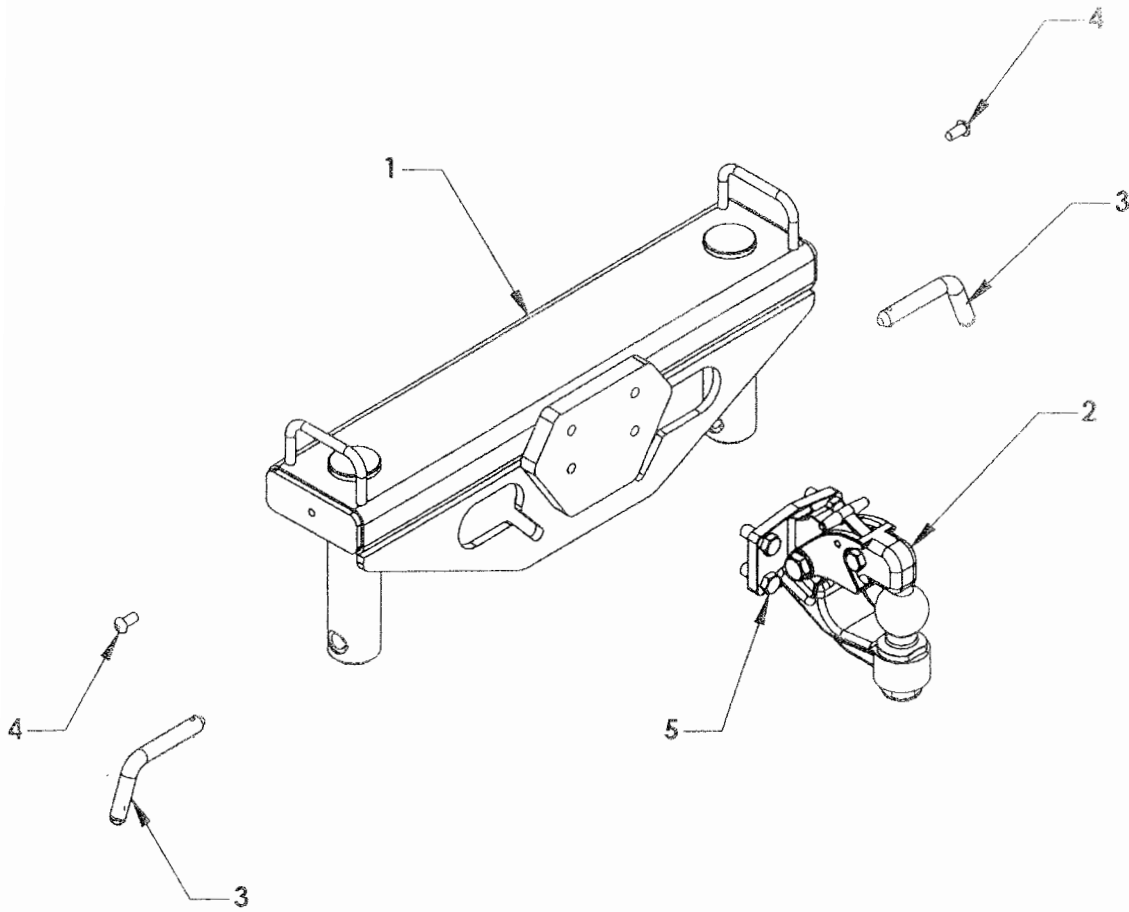
# Section V - PARTS

## RETRACTABLE LADDER



REF	PART #	DESCRIPTION	QPU
	SER30-V13	LADDER ASSEMBLY	1
1	SER30-V13-#1	LADDER CARRIAGE	1
2	SER30-V13-#2	UPPER RUNG ASSEMBLY	1
3	SER30-V13-#3	LOWER RUNG ASSEMBLY	1
4	SER30-V13-#4	FRAME MOUNTING BRACKET-OPTIONAL	1
5	SER30-V13-#5	WHEEL	2
6	SER30-V13-#6	RETAINING RING 1.00 EXTERNAL	2
7	SER30-V13-#7	FLAT WASHER 1 X 1.50	2
8	SER30-V13-#8	RETAINING BOLT 5/8-11 X 1-1/2	2
9	SER30-V13-#9	WEAR PAD	4
10	SER30-V13-#10	RETAINING TUBE	2
11	SER30-V13-#11	ALLEN HEAD BOLT 3/8-16 X 1	4
12	SER30-V13-#12	NYLON LOCK NUT 3/8-16	4

Section V - PARTS  
**PINTLE HITCH GROUP**



REF	PART #	DESCRIPTION	QPU
	SER30-V23	PINTLE HITCH GROUP	1
1	SER30-V14-#1	PINTLE HITCH WELDMENT	1
2	SER30-V14-#2	TOW BALL PINTLE HITCH	1
3	SER30-V14-#3	RETAINING PIN	2
4	SER30-V14-#4	3/8 X 5/8 BUTTONHEAD BOLT	4
	SER30-V14-#4A	LANYARD	2
5	SER30-V14-#5	BOLD 1/2-13 X 1.25 GRADE 5 OR 8	4
	SER30-V14-#5A	1/2 LOCK WASHER	4