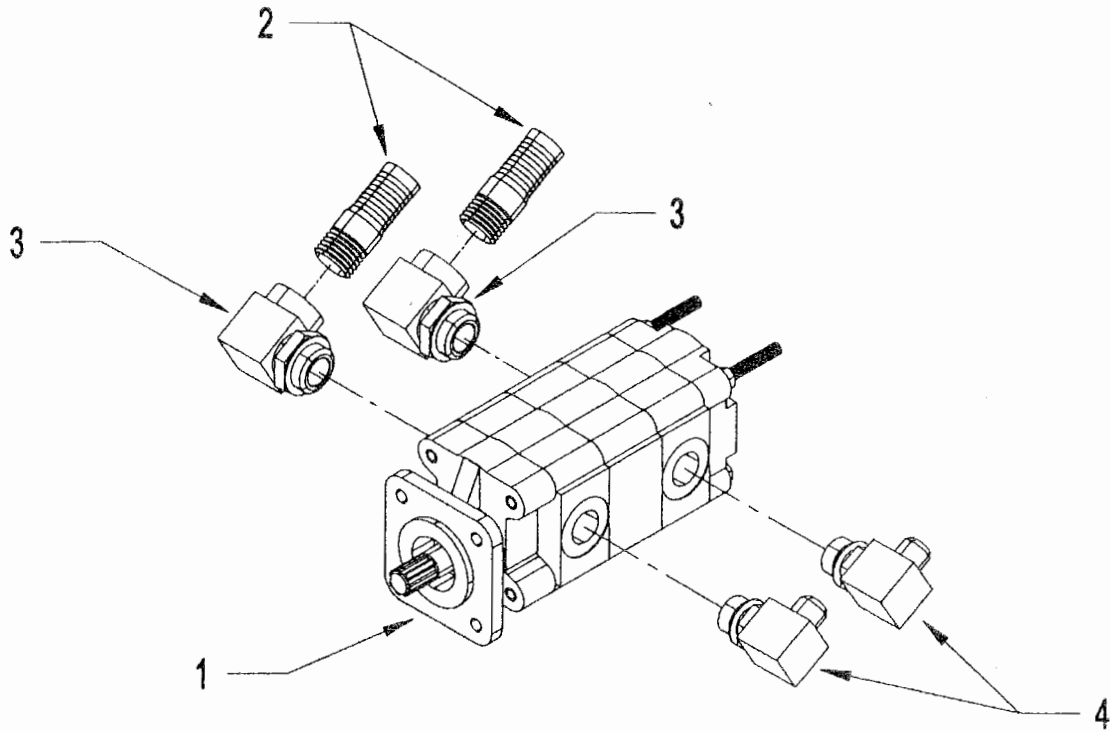




1014
PARTS
MANUAL

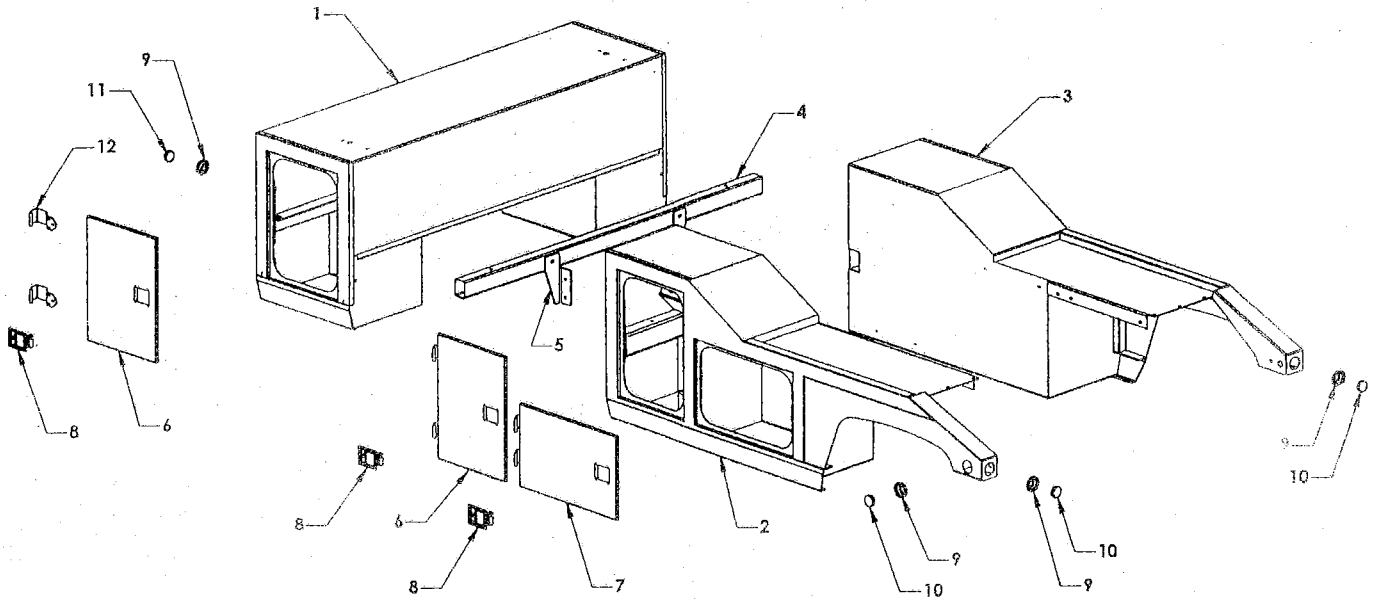
Section V - PARTS

DIRECT MOUNT TANDEM PUMP



REF	PART #	DESCRIPTION	QPU
1	1014-V1-#1	TANDEM PUMP 15 PGM X 15 GPM	1
2	1014-V1-#2	1-1/4 X 3 NPT NIPPLE	2
3	1014-V1-#3	1-1/4 X 90 M-F O-RING ADAPTER 887-554-20	2
4	1014-V1-#6	1 M O-RING X 3/4 MJIC X 90	2

Section V - PARTS
1014 MODULAR BOX COMPONENTS



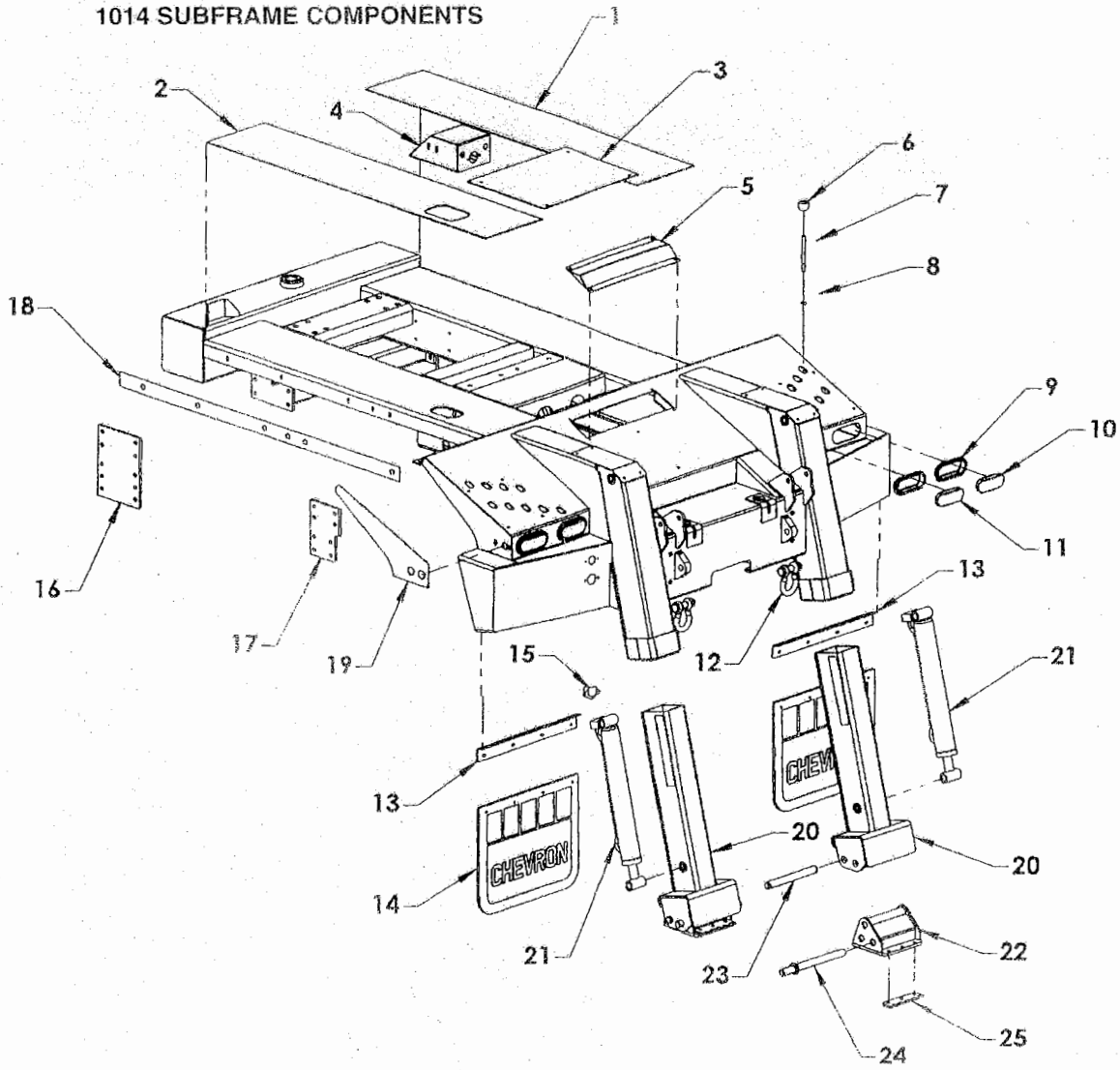
Section V - PARTS

1014 MODULAR BOX COMPONENTS

REF	PART #	DESCRIPTION	QPU
1	1014-V3-#1	28 INCH TUNNEL BOX	1
2	1014-V3-#2	MODULAR BOX- DRIVER SIDE 120 CA	1
	1014-V3-#2A	MODULAR BOX- DRIVER SIDE 108 CA	1
3	1014-V3-#3	MODULAR BOX- PASSENGER SIDE 120 CA	1
	1014-V3-#3A	MODULAR BOX- PASSENGER SIDE 108 CA	1
4	1014-V3-#4	MODULAR BOX FRONT CROSSMEMBER	1
5	1014-V3-#5	CROSSMEMBER MOUNTING BRACKET- LEFT	2
	1014-V3-#5A	CROSSMEMBER MOUNTING BRACKET- RIGHT	2
6	1014-V3-#6	FRONT DOOR	4
7	1014-V3-#7	REAR DOOR- 120 CA	2
	1014-V3-#7A	REAR DOOR- 108 CA	2
8	1014-V3-#8	ROTARY PADDLE LATCH	6
9	1014-V3-#9	MARKER LIGHT GROMMET	6
10	1014-V3-#10	RED REFLECTIVE MARKER LIGHT	4
11	1014-V3-#11	AMBER REFLECTIVE MARKER LIGHT	2
12	1014-V3-#12	DOOR HINGE	12

Section V - PARTS

1014 SUBFRAME COMPONENTS

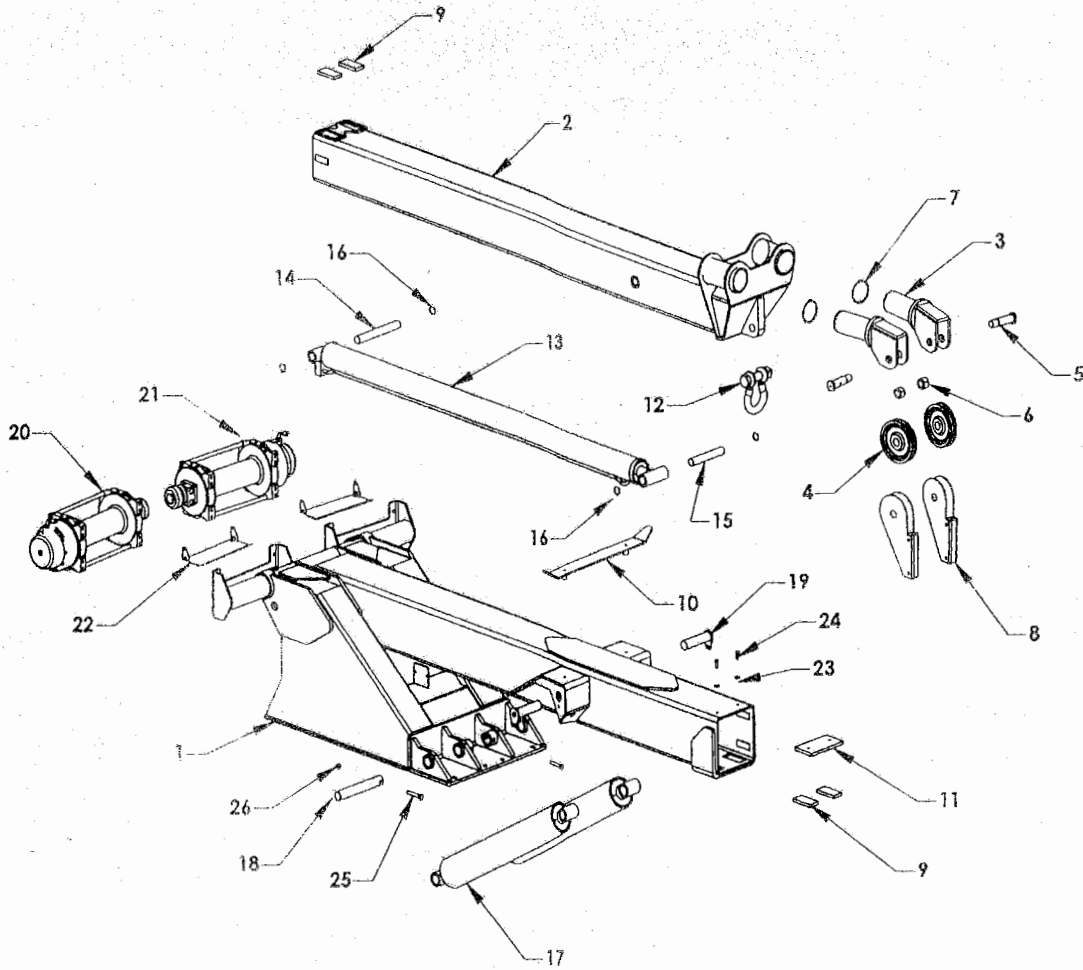


Section V - PARTS

1014 SUBFRAME COMPONENTS

REF	PART #	DESCRIPTION	QPU
1	1014-V5-#1	BRIGHT ALUMINUM DECK PLATE- RIGHT	1
2	1014-V5-#2	BRIGHT ALUMINUM DECK PLATE- LEFT	1
3	1014-V5-#3	BRIGHT ALUMINUM DECK PLATE- MIDDLE	1
4	1014-V5-#4	GLAD HAND BOX	1
5	1014-V5-#5	REAR ACCESS COVER	1
6	1014-V5-#6	CONTROL KNOB	14
7	1014-V5-#7	CONTROL HANDLE	14
8	1014-V5-#8	5/8 JAM NUT	14
9	1014-V5-#9	TAIL LIGHT GROMMET	4
10	1014-V5-#10	TAIL LIGHT	2
11	1014-V5-#11	BACKUP LIGHT	2
12	1014-V5-#12	6-1/2 TON SHACKLE AND SCREW PIN	2
13	1014-V5-#13	MUDFLAP BRACKET	2
14	1014-V5-#14	MUDFLAP 24 X 21	2
15	1014-V5-#15	TOW LIGHT SOCKET	1
16	1014-V5-#16	FRONT MOUNTING BRACKET	2
17	1014-V5-#17	MIDDLE MOUNTING BRACKET	2
18	1014-V5-#18	RUBBER GASKET	2
19	1014-V5-#19	RUBBER GASKET	2
20	1014-V5-#20	INNER STABILIZER TUBE	2
21	1014-V5-#21	STABILIZER CYLINDER	2
22	1014-V5-#22	STABILIZER POD	2
23	1014-V5-#23	STABILIZER POD PIVOT PIN	2
24	1014-V5-#24	STABILIZER POD POSITION PIN	2
25	1014-V5-#25	CLEAT	2

Section V - PARTS
1014 RECOVERY BOOM COMPONENTS



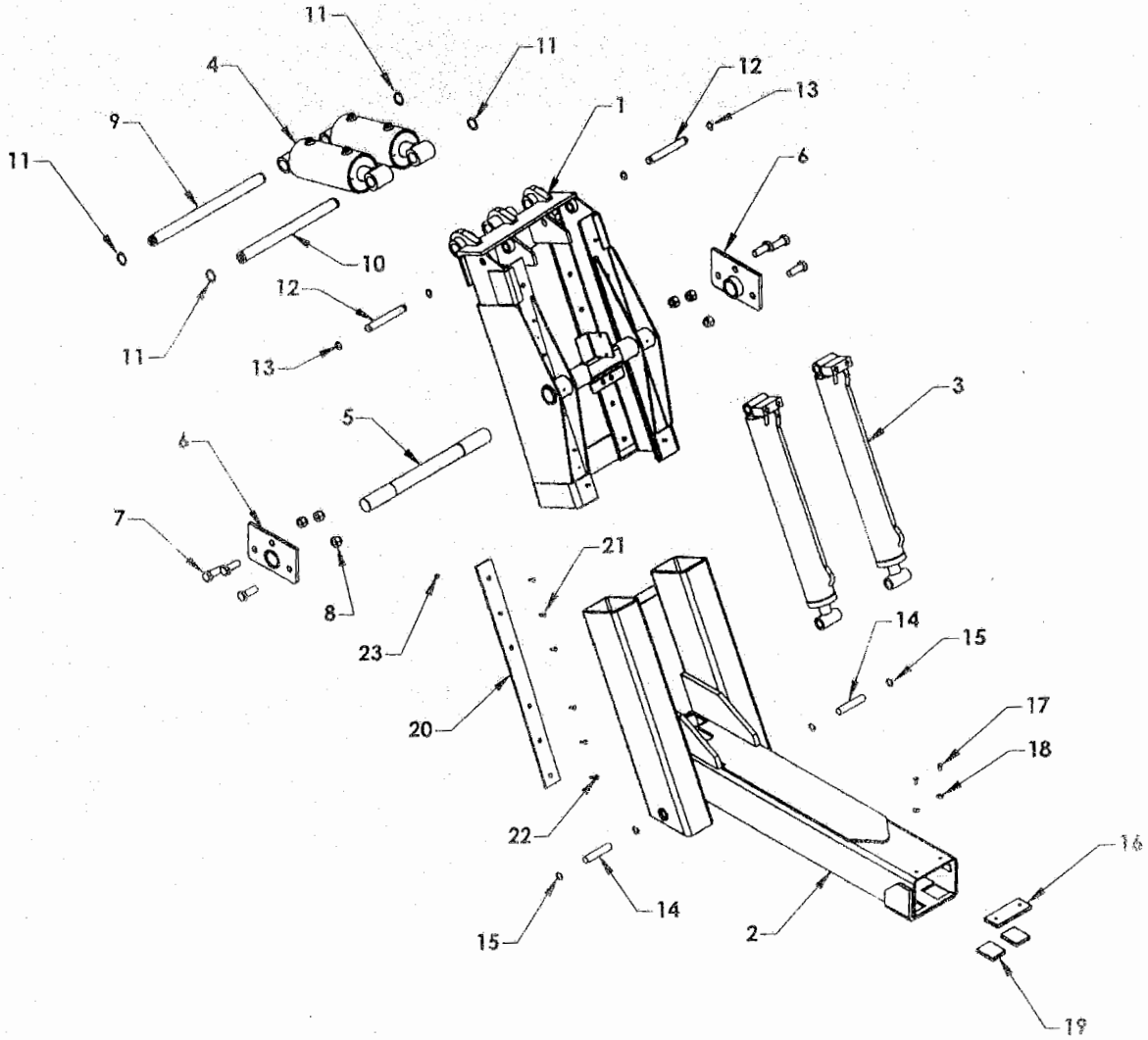
Section V - PARTS

1014 RECOVERY BOOM COMPONENTS

REF	PART #	DESCRIPTION	QPU
1	1014-V7-#1	RECOVERY BOOM 12,000 LB. WINCHES	1
	1014-V7-#1A	RECOVERY BOOM 15,000 LB. WINCHES	1
2	1014-V7-#2	INNER BOOM TUBE	1
3	1014-V7-#3	BOOM END SWIVEL	2
4	1014-V7-#4	PULLEY 7 INCH	2
5	1014-V7-#5	PULLEY BOLT	2
6	1014-V7-#6	NUT 1.125-12 NYLON LOCK	2
7	1014-V7-#7	RETAINING RING 3.50 EXTERNAL	2
8	1014-V7-#8	CABLE FOLLOWER	2
9	1014-V7-#9	WEAR PAD 1/2 X 2 X 4 NYLATRON	2
10	1014-V7-#10	BOOM ANTLER	1
11	1014-V7-#11	SHIM PAD 1/2 X 4 X 7.5 UHMW	1
12	1014-V7-#12	9/12 TON SHACKLE WITH NUT AND BOLT	2
13	1014-V7-#13	BOOM EXTENSION CYLINDER	1
14	1014-V7-#14	PIN 1.230 X 9.812	1
15	1014-V7-#15	PIN 1.23- X 7.562	1
16	1014-V7-#16	RETAINING RING 1.25 INTERNAL	4
17	1014-V7-#17	BOOM LIFT CYLINDER	2
18	1014-V7-#V7	PIN 1.480 X 10.125	2
19	1014-V7-#19	PIN 1.480 X 5.75	2
20	1014-V7-#20	WINCH 12,000 LB. LEFT	1
	1014-V7-#20A	WINCH 15,000 LB. LEFT	1
21	1014-V7-#21	WINCH 12,000 LB. RIGHT	1
	1014-V7-#21A	WINCH 15,000 LB. RIGHT	1
22	1014-V7-#22	TENSIONER KIT FOR 12,000 LB. WINCH	2
	1014-V7-#22A	TENSIONER KIT FOR 15,000 LB. WINCH	2
23	1014-V7-#23	FLAT WASHER 5/16	2
24	1014-V7-#24	CAP SCREW 5/16 X 7/8	2
25	1014-V7-#25	BOLT 1/2 X 3 COARSE THREAD	2
26	1014-V7-#26	NYLON LOCK NUT 1/2 COARSE THREAD	2

Section V - PARTS

1014 UNDERLIFT COMPONENTS



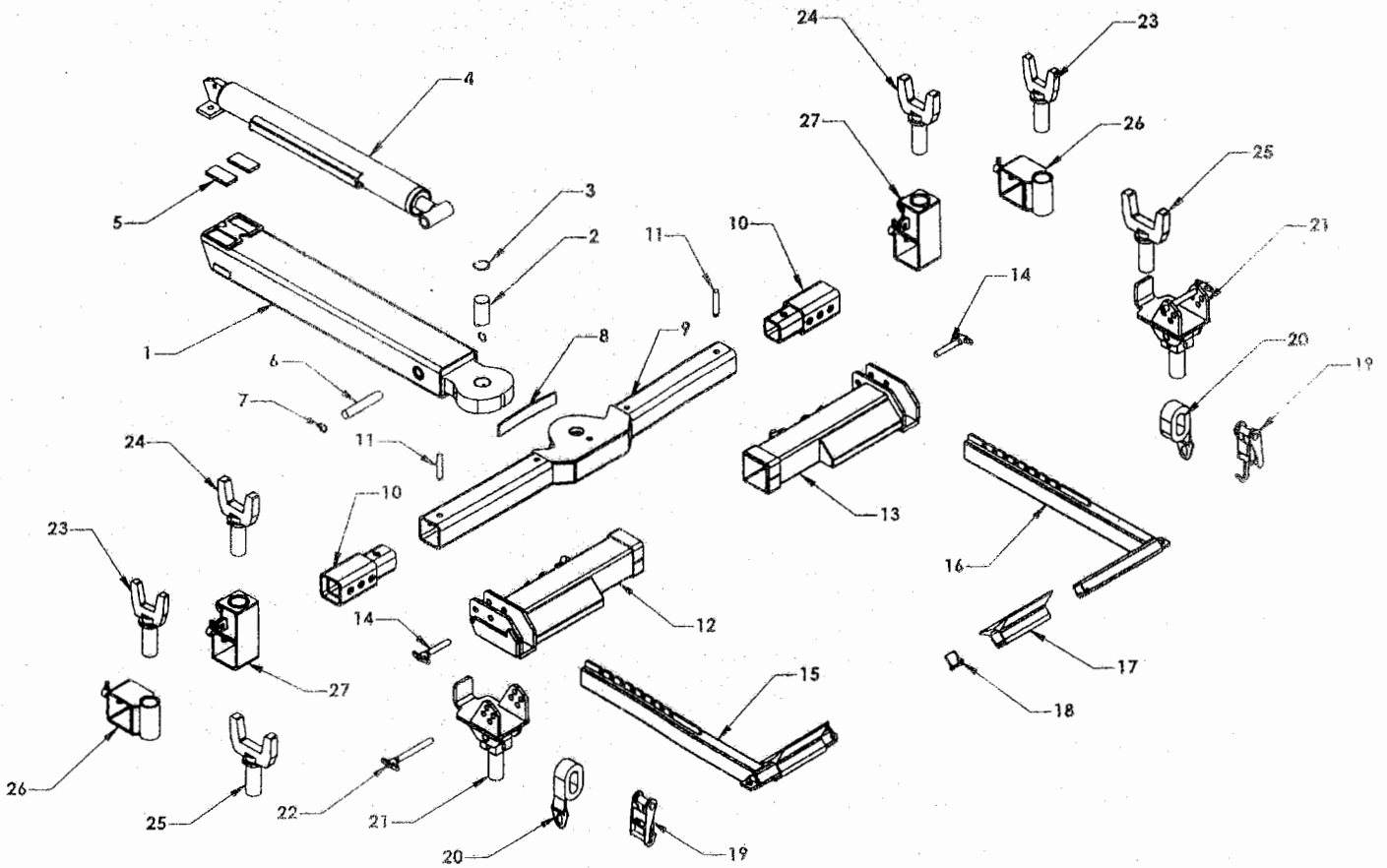
Section V - PARTS

1014 UNDERLIFT COMPONENTS

REF	PART #	DESCRIPTION	QPU
1	1014-V9-#1	SLIDE CARRIAGE	1
2	1014-V9-#2	L-BOOM	1
3	1014-V9-#3	LIFT CYLINDER	2
4	1014-V9-#4	POWER TILT CYLINDER	2
5	1014-V9-#5	SLIDE CARRIAGE PIVOT PIN 1.975 X 22.938	1
6	1014-V9-#6	UNDERLIFT MOUNTING BRACKET	2
7	1014-V9-#7	BOLT 7/8 X 2.25 COARSE THREAD	6
8	1014-V9-#8	NUT 7/8 COARSE THREAD	6
9	1014-V9-#9	PIN 1.480 X 20.875 SNAP RING GROOVE	1
10	1014-V9-#10	PIN 1.480 X 10.625 SNAP RING GROOVE	1
11	1014-V9-#11	RETAINING RING 1.50 EXTERNAL	4
12	1014-V9-#12	PIN .980 X 7 SNAP RING GROOVE	2
13	1014-V9-#13	RETAINING RING 1.00 EXTERNAL	4
14	1014-V9-#14	PIN .980 X 7 SNAP RING GROOVE	2
15	1014-V9-#15	RETAINING RING 1.00 INTERNAL	4
16	1014-V9-#16	SHIM PAD 1/2 X 2.5 X 6.5	1
17	1014-V9-#17	BOLT 3.8 X 3.4 COARSE THREAD BUTTON HEAD	2
18	1014-V9-#18	FLAT WASHER 3/8 ID X 9/16 OD	2
19	1014-V9-#19	WEAR PAD 2.5 X 3 NYLATRON	2
20	1014-V9-#20	WEAR STRIP 3.8 X 2.75 X 32.75	4
21	1014-V9-#21	FLAT HEAD SOCKET CAP SCREW 5/16 X 1	20
22	1014-V9-#22	FLAT HEAD SOCKET CAP SCREW 5.16 X 1.5	4
23	1014-V9-#23	NYLON LOCK NUT 5/16	24

Section V - PARTS

1014 WHEEL LIFT COMPONENTS AND HOOK-UP ATTACHMENTS



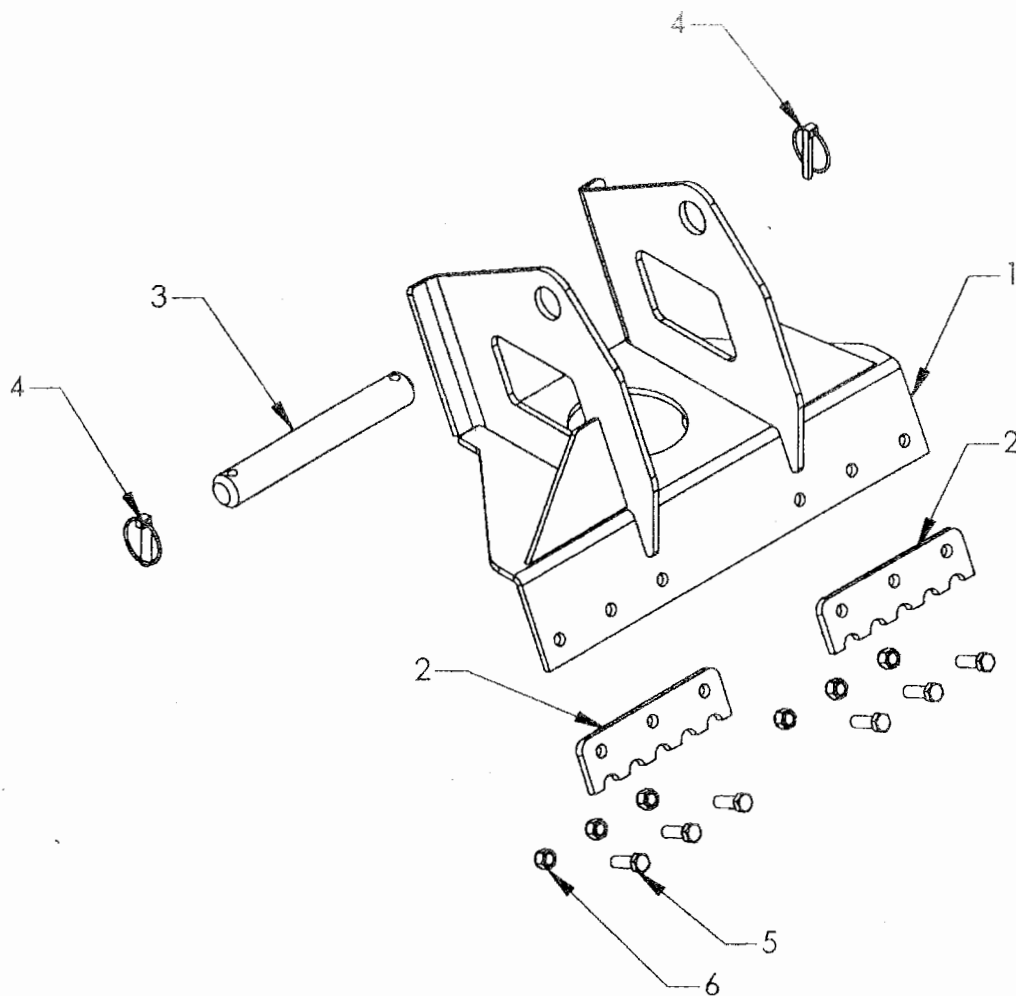
Section V - PARTS

1014 WHEEL LIFT COMPONENTS AND HOOK-UP ATTACHMENTS

REF	PART #	DESCRIPTION	QPU
1	1014-V11-#1	INNERTUBE WELDMENT	1
2	1014-V11-#2	CROSSBAR PIVOT PIN	1
3	1014-V11-#3	PIVOT PIN RETAINING RING 2 INCH INTERNAL	1
4	1014-V11-#4	WHEEL LIFT EXTENSION CYLINDER	1
5	1014-V11-#5	WEAR PAD NYLATRON 1/2 X 2 X 4	2
6	1014-V11-#6	PIN 1.230 X 6-5/8	1
7	1014-V11-#7	RETAINING RING 1.25 INTERNAL	2
8	1014-V11-#8	YOKE SPRING 1.75 X 10.875	1
9	1014-V11-#9	CROSSBAR	1
10	1014-V11-#10	CROSSBAR EXTENSION	2
11	1014-V11-#11	CROSSBAR EXTENSION PIN	2
12	1014-V11-#12	WHEEL GRID- LEFT	1
13	1014-V11-#13	WHEEL GRID- RIGHT	1
14	1014-V11-#14	T-PIN WITH LANYARD 3/4 X 3.50	2
15	1014-V11-#15	LEFT L-ARM 6000 LB. CAPACITY	1
	1014-V11-#15A	LEFT L-ARM 4000 LB. CAPACITY	1
16	1014-V11-#16	RIGHT L-ARM 6000 LB. CAPACITY	1
	1014-V11-#16A	RIGHT L-ARM 4000 LB. CAPACITY	1
17	1014-V11-#17	REMOVABLE WHEEL PAN	2
18	1014-V11-#V18	5/16 SAFETY SNAP PIN	2
19	1014-V11-#19	RATCHET	2
20	1014-V11-#20	WHEEL STRAP	2
21	1014-V11-#21	SPRING SHACKLE ADAPTOR	2
22	1014-V11-#22	T-PIN 3/4 X 6.50	2
23	1014-V11-#23	2 INCH FRAME FORK	2
24	1014-V11-#24	3 INCH FRAME FORK	2
25	1014-V11-#25	4 INCH FRAME FORK	2
26	1014-V11-#26	FORK HOLDER- SHORT	2
27	1014-V11-#27	FORK HOLDER- ELEVATED	2

Section V - PARTS

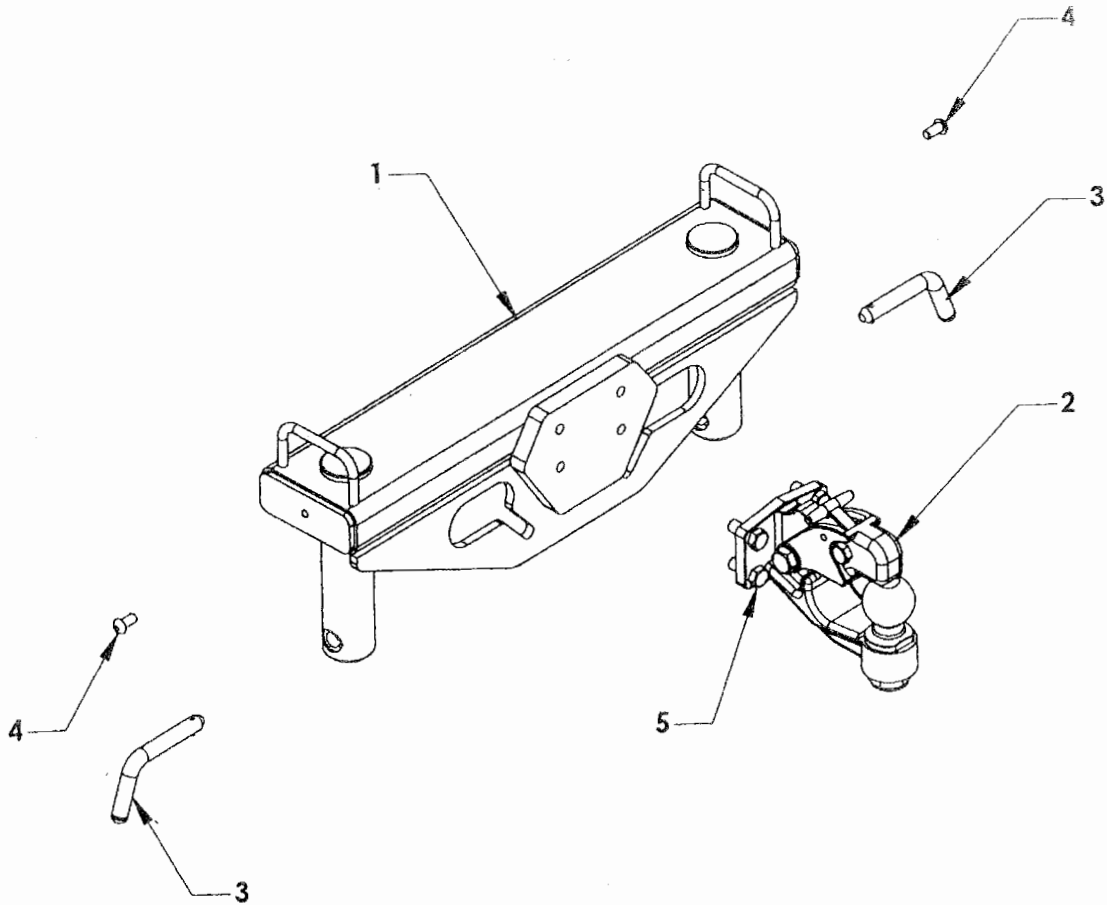
UNDERLIFT SPADE GROUP



REF	PART #	DESCRIPTION	QPU
	1014-V12	SPADE GROUP	
1	1014-V12-#1	SPADE WELDMENT	1
2	1014-V12-#2	SPADE TEETH	2
3	1014-V12-#3	SPADE MOUNTING PIN	1
4	1014-V12-#4	LINCH PIN- 1.50	2
5	1014-V12-#5	BOLT 1/2-13 X 1.75	6
6	1014-V12-#6	NYLON LOCK NUT 1/2-13	6

Section V - PARTS

PINTLE HITCH GROUP



REF	PART #	DESCRIPTION	QPU
	1014-V13	PINTLE HITCH GROUP	1
1	1014-V13-#1	PINTLE HITCH WELDMENT	1
2	1014-V13-#2	TOW BALL PINTLE HITCH	1
3	1014-V13-#3	RETAINING PIN	2
4	1014-V13-#4	3/8 X 5/8 BUTTONHEAD BOLT	4
	1014-V13-#4A	LANYARD	2
5	1014-V13-#5	BOLD 1/2-13 X 1.25 GRADE 5 OR 8	4
	1014-V13-#5A	1/2 LOCK WASHER	4